



The information in this User's Manual has been carefully reviewed and is believed to be accurate. The vendor assumes no responsibility for any inaccuracies that may be contained in this document, makes no commitment to update or to keep current the information in this manual, or to notify any person or organization of the updates. **Please Note: For the most up-to-date version of this manual, please see our web site at [www.supermicro.com](http://www.supermicro.com).**

Super Micro Computer, Inc. ("Supermicro") reserves the right to make changes to the product described in this manual at any time and without notice. This product, including software and documentation, is the property of Supermicro and/or its licensors, and is supplied only under a license. Any use or reproduction of this product is not allowed, except as expressly permitted by the terms of said license.

IN NO EVENT WILL SUPERMICRO BE LIABLE FOR DIRECT, INDIRECT, SPECIAL, INCIDENTAL, SPECULATIVE OR CONSEQUENTIAL DAMAGES ARISING FROM THE USE OR INABILITY TO USE THIS PRODUCT OR DOCUMENTATION, EVEN IF ADVISED OF THE POSSIBILITY OF SUCH DAMAGES. IN PARTICULAR, SUPERMICRO SHALL NOT HAVE LIABILITY FOR ANY HARDWARE, SOFTWARE, OR DATA STORED OR USED WITH THE PRODUCT, INCLUDING THE COSTS OF REPAIRING, REPLACING, INTEGRATING, INSTALLING OR RECOVERING SUCH HARDWARE, SOFTWARE, OR DATA.

Any disputes arising between manufacturer and customer shall be governed by the laws of Santa Clara County in the State of California, USA. The State of California, County of Santa Clara shall be the exclusive venue for the resolution of any such disputes. Super Micro's total liability for all claims will not exceed the price paid for the hardware product.

California Best Management Practices Regulations for Perchlorate Materials: This Perchlorate warning applies only to products containing CR (Manganese Dioxide) Lithium coin cells. "Perchlorate Material-special handling may apply. See [www.dtsc.ca.gov/hazardouswaste/perchlorate](http://www.dtsc.ca.gov/hazardouswaste/perchlorate)"

---

**WARNING: Handling of lead solder materials used in this product may expose you to lead, a chemical known to the State of California to cause birth defects and other reproductive harm.**

---

Manual Revision 1.0d  
Release Date: July 29, 2010

Unless you request and receive written permission from Super Micro Computer, Inc., you may not copy any part of this document.

Information in this document is subject to change without notice. Other products and companies referred to herein are trademarks or registered trademarks of their respective companies or mark holders.

Copyright © 2010 by Super Micro Computer, Inc.  
All rights reserved.

**Printed in the United States of America**

---

## Table of Contents

Contacting Supermicro.....	iv
Returning Merchandise for Service.....	v
<b>Chapter 1 Safety Guidelines .....</b>	<b>1-1</b>
1-2 General Safety Guidelines.....	1-1
<b>Chapter 2 Connectors, Jumpers and LEDs.....</b>	<b>2-1</b>
2-1 Front Connectors .....	2-1
2-2 Front Connectors and Pin Definitions .....	2-2
Explanation of Jumpers .....	2-3
2-4 Rear Connectors and LED Indicators.....	2-6
<b>Chapter 3 Dual Port and Cascading Configurations .....</b>	<b>3-1</b>
3-1 Single and Dual Port Expanders .....	3-1
Single Ports.....	3-1
Dual Ports .....	3-1
3-2 Failover.....	3-2
3-3 Failover with RAID Cards and Multiple HBAs .....	3-3
3-4 Cables and Chassis Power Card .....	3-4
Chassis Power Card.....	3-4
Connecting an Internal Host Bus Adapter to the Backplane .....	3-5
Supported Internal HBA to Backplane Cables.....	3-6
Connecting an External Host Bus Adapter to the Backplane .....	3-7
Supported External HBA to Backplane Cable .....	3-8
Connecting Multiple Backplanes in a Single Channel Environment.....	3-9
Single HBA Configuration .....	3-9
Single HBA Configuration Cables .....	3-10
Connecting Multiple Backplanes in a Dual Channel Environment .....	3-11
Dual HBA Configuration Cables.....	3-12
3-5 Supported Cascading Configuration .....	3-13
Server System with Dual SAS HBA and Cascading Configuration.....	3-14

## Contacting Supermicro

### Headquarters

Address: Super Micro Computer, Inc.  
980 Rock Ave.  
San Jose, CA 95131 U.S.A.

Tel: +1 (408) 503-8000

Fax: +1 (408) 503-8008

Email: [marketing@supermicro.com](mailto:marketing@supermicro.com) (General Information)  
[support@supermicro.com](mailto:support@supermicro.com) (Technical Support)

Web Site: [www.supermicro.com](http://www.supermicro.com)

### Europe

Address: Super Micro Computer B.V.  
Het Sterrenbeeld 28, 5215 ML  
's-Hertogenbosch, The Netherlands

Tel: +31 (0) 73-6400390

Fax: +31 (0) 73-6416525

Email: [sales@supermicro.nl](mailto:sales@supermicro.nl) (General Information)  
[support@supermicro.nl](mailto:support@supermicro.nl) (Technical Support)  
[rma@supermicro.nl](mailto:rma@supermicro.nl) (Customer Support)

### Asia-Pacific

Address: Super Micro Computer, Inc.  
4F, No. 232-1, Liancheng Rd.  
Chung-Ho 235, Taipei County  
Taiwan, R.O.C.

Tel: +886-(2) 8226-3990

Fax: +886-(2) 8226-3991

Web Site: [www.supermicro.com.tw](http://www.supermicro.com.tw)

Technical Support:

Email: [support@supermicro.com.tw](mailto:support@supermicro.com.tw)

Tel: 886-2-8226-1900

## Returning Merchandise for Service

A receipt or copy of your invoice marked with the date of purchase is required before any warranty service will be rendered. You can obtain service by calling your vendor for a Returned Merchandise Authorization (RMA) number. When returning to the manufacturer, the RMA number should be prominently displayed on the outside of the shipping carton, and mailed prepaid or hand-carried. Shipping and handling charges will be applied for all orders that must be mailed when service is complete.

For faster service, RMA authorizations may be requested online (<http://www.supermicro.com/support/rma/>).

Whenever possible, repack the backplane in the original Supermicro box, using the original packaging materials. If these are no longer available, be sure to pack the backplane in an anti-static bag and inside the box. Make sure that there is enough packaging material surrounding the backplane so that it does not become damaged during shipping.

This warranty only covers normal consumer use and does not cover damages incurred in shipping or from failure due to the alteration, misuse, abuse or improper maintenance of products.

During the warranty period, contact your distributor first for any product problems.

## Notes

# Chapter 1

## Safety Guidelines

To avoid personal injury and property damage, carefully follow all the safety steps listed below when accessing your system or handling the components.

### 1-1 ESD Safety Guidelines

*Electrostatic Discharge (ESD) can damage electronic components. To prevent damage to your system, it is important to handle it very carefully. The following measures are generally sufficient to protect your equipment from ESD.*

- Use a grounded wrist strap designed to prevent static discharge.
- Touch a grounded metal object before removing a component from the antistatic bag.
- Handle the RAID card by its edges only; do not touch its components, peripheral chips, memory modules or gold contacts.
- When handling chips or modules, avoid touching their pins.
- Put the card and peripherals back into their antistatic bags when not in use.

### 1-2 General Safety Guidelines

- Always disconnect power cables before installing or removing any components from the computer, including the SAS-826EL series backplane.
- Make sure that the backplane is properly and securely on the motherboard to prevent damage to the system due to power outages.

## 1-3 An Important Note to Users

- All images and layouts shown in this user's guide are based upon the latest backplane revision available at the time of publishing. The card you have received may or may not look exactly the same as the graphics shown in this manual.



## Chapter 2

### Connectors, Jumpers and LEDs

#### 2-1 Front Connectors

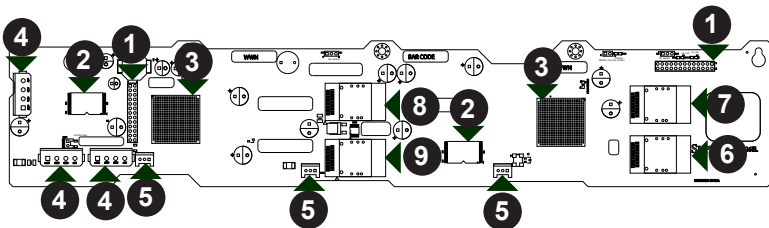


Figure 2-1: SAS-826EL2 Connectors and Components

- |   |  |
|---|--|
| 1. EPP connectors: J16 and J17            | 6. Primary SAS connectors: PRI_J0  |
| 2. Primary and secondary flash chips      | 7. Primary SAS connectors: PRI_J1  |
| 3. Primary and secondary expander chips   | 8. Secondary SAS connectors: SEC_J0 (not available in EL1 single port backplane) |
| 4. Power connectors: PWR0, PWR1, and PWR3 | 9. Secondary SAS connectors: SEC_J1 (not available in EL1 single port backplane) |
| 5. Fan connectors: Fan1, Fan2, and Fan3   |  |

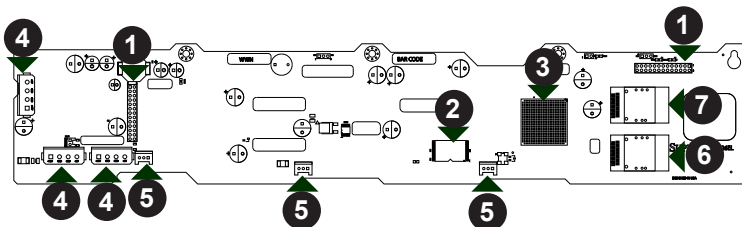


Figure 2-2: SAS-826EL1 Connectors and Components

## 2-2 Front Connectors and Pin Definitions

### 1. EPP Ports

The EPP ports are used for manufacturer diagnostic purposes only.

### 2. Primary and Secondary Flash Chips

The Primary and Secondary Flash Chips enhance the backplane memory.

### 3. Primary and Secondary Expander Chips

This Primary and Secondary Expander Chips allow the backplane to support dual port, cascading, and failover configurations.

### 4. Backplane Main Power Connectors

The 4-pin connectors, designated PWR0, PWR1, and PWR3, provide power to the backplane. See the table on the right for pin definitions.

Backplane Main Power 4-Pin Connector (PWR0, PWR1, and PWR3)	
Pin#	Definition
1	+12V
2 and 3	Ground
4	+5V

### 5. Fan Connectors

The 3-pin connectors, designated Fan1, Fan2, and Fan3, provide power to the fans.

See the table on the right for pin definitions.

Fan Connectors (Fan1, Fan2, and Fan3)	
Pin#	Definition
1	Ground
2	+12V
3	Tachometer

### 6. - 9. SAS Ports

Primary and secondary SAS ports.

## 2-3 Front Jumper Locations and Pin Definitions

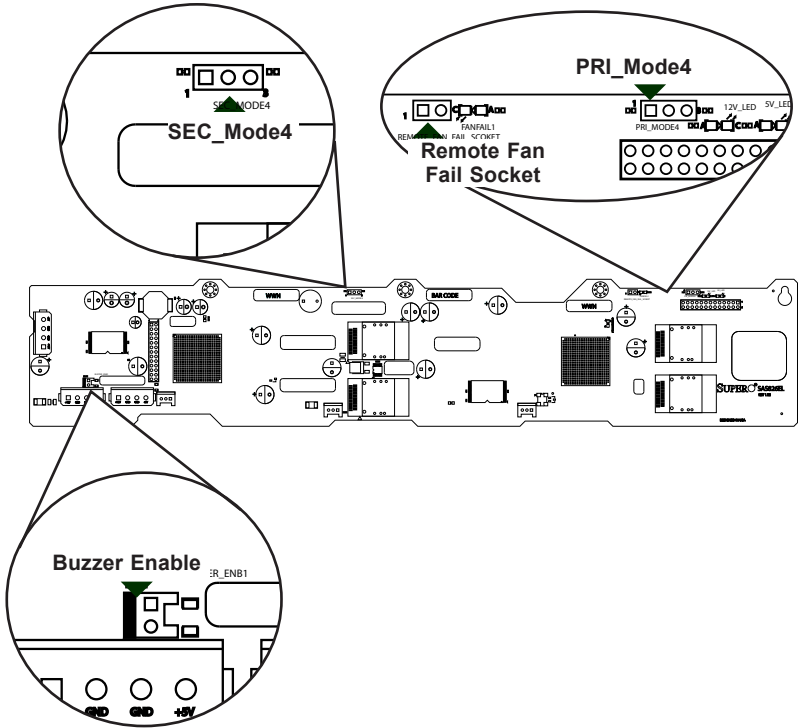
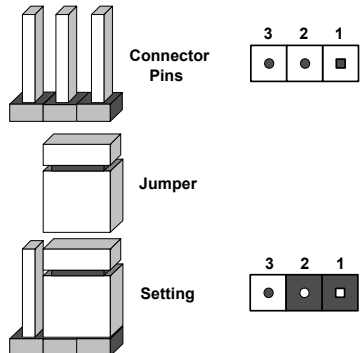


Figure 2-3: Front Jumpers

### Explanation of Jumpers

To modify the operation of the backplane, jumpers can be used to choose between optional settings. Jumpers create shorts between two pins to change the function of the connector. Pin 1 is identified with a square solder pad on the printed circuit board. Note: On two pin jumpers, "Closed" means the jumper is on and "Open" means the jumper is off the pins.



General Jumper Settings		
Jumper	Jumper Settings	Note
PRI_MODE4	1-2	Factory setting do not change
SEC_MODE4	1-2	Factory setting do not change
BUZZER_ENB1	Open: Disable Closed: Enable	Buzzer disabled* Buzzer enabled*

\*The buzzer sound indicates that a condition requiring immediate attention has occurred.

***The buzzer alarm is triggered by the following conditions:***

1. Hard drive failure
2. Fan failure
3. System temperature over 45° Celsius.

Socket Settings		
Socket	Socket Setting	Note
REMOTE_FAN_FAIL_SOCKET	Open	Front panel fan fail indicator (optional)

## Front LED Indicators

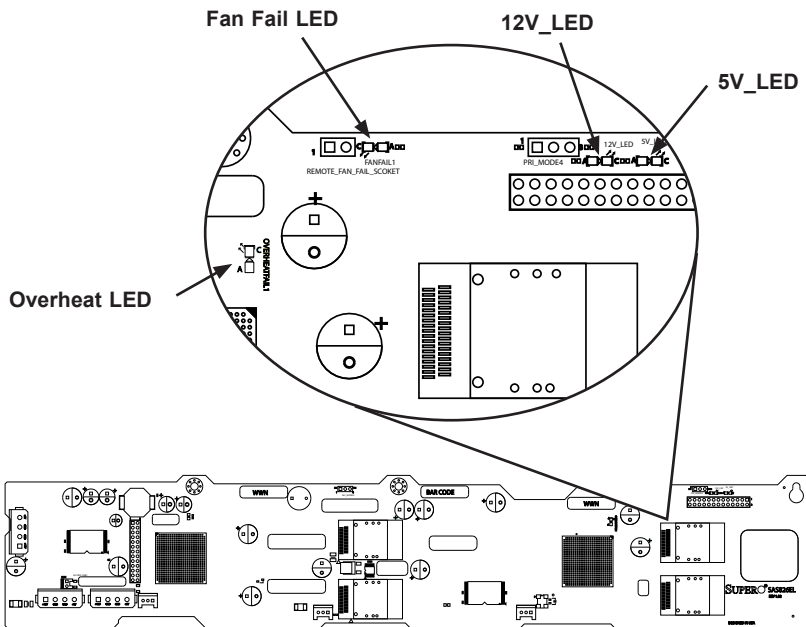


Figure 2-4: Front LEDs

Backplane LEDs		
LED	State	Specification
OVERHEATFAIL1	ON	Overheat or drive failure
FANFAIL1	ON	Failure in system fans
5V	OFF	Backplane power failure. Light is on during normal operation.
12V	OFF	Backplane power failure. Light is on during normal operation.

## 2-4 Rear Connectors and LED Indicators

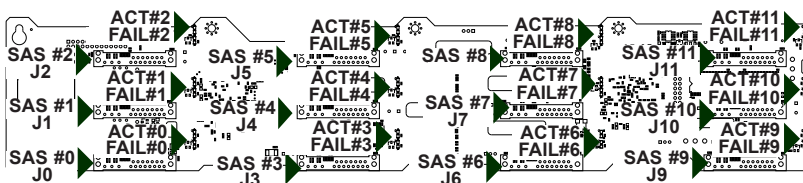


Figure 2-5: Rear Connectors and LEDs

Rear SAS Connectors			
Rear Connector	SAS Drive Number	Rear Connector	SAS Drive Number
SAS #0	SAS HDD #0	SAS #6	SAS HDD #6
SAS #1	SAS HDD #1	SAS #7	SAS HDD #7
SAS #2	SAS HDD #2	SAS #8	SAS HDD #8
SAS #3	SAS HDD #3	SAS #9	SAS HDD #9
SAS #4	SAS HDD #4	SAS #10	SAS HDD #10
SAS #5	SAS HDD #5	SAS #11	SAS HDD #11

Rear LED Indicators		
Rear LED	Hard Drive Activity	Failure LED
SAS #0	ACT #0	FAIL #0
SAS #1	ACT #1	FAIL #1
SAS #2	ACT #2	FAIL #2
SAS #3	ACT #3	FAIL #3
SAS #4	ACT #4	FAIL #4
SAS #5	ACT #5	FAIL #5
SAS #6	ACT #6	FAIL #6
SAS #7	ACT #7	FAIL #7
SAS #8	ACT #8	FAIL #8
SAS #9	ACT #9	FAIL #9
SAS #10	ACT #10	FAIL #10
SAS #11	ACT #11	FAIL #11

## Chapter 3

### Dual Port and Cascading Configurations

#### 3-1 Single and Dual Port Expanders

##### Single Ports

SAS-826EL1 backplanes have a single-port expander that access all 12 drives and supports cascading.

##### Dual Ports

SAS-826EL2 backplanes have dual-port expanders that access all 12 drives. These dual-port expanders support cascading, failover, and recovery. Warning: The SAS 826EL2 backplane's J0 and J1 SAS ports are reversed in the Secondary Expander Port B with J0 on top and J1 on the bottom.

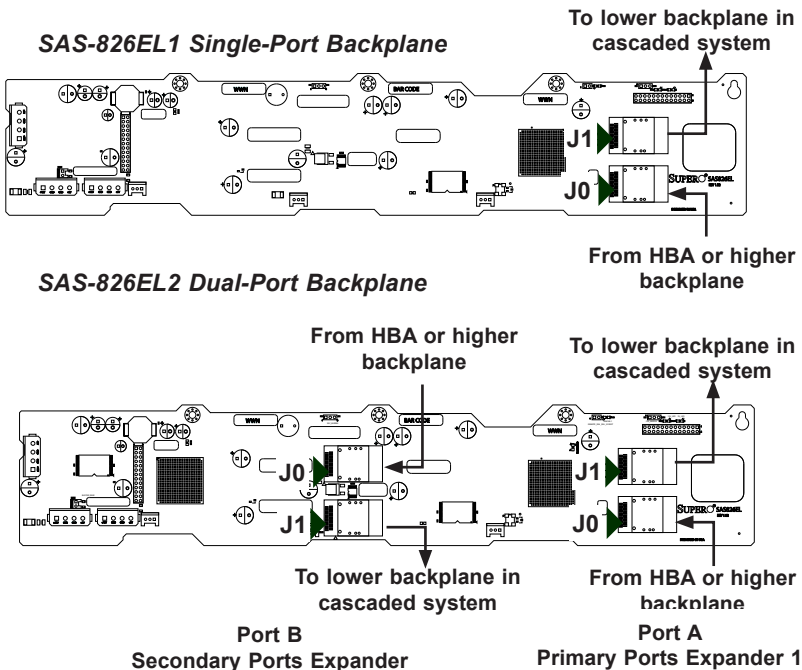


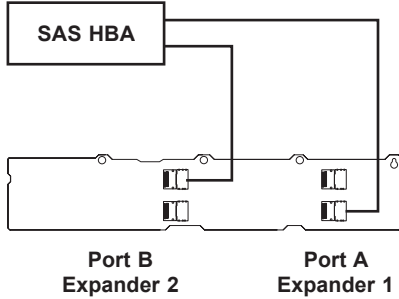
Figure 3-1: Single and Dual Port Expanders

### 3-2 Failover

The SAS-826EL2 Backplane has two expanders which allow effective failover and recovery.

#### Single Host Bus Adapter

In a single host bus configuration, the backplane connects to one Host Bus Adapter (HBA).



#### Single Host Bus Adapter Failover

If the expander or data path in Port A fails, the system will automatically fail over to Port B.

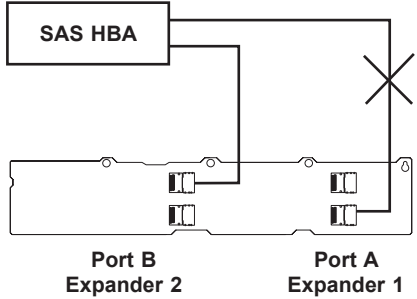


Figure 3-2: Single and Dual Port Expanders



### 3-3 Failover with RAID Cards and Multiple HBAs

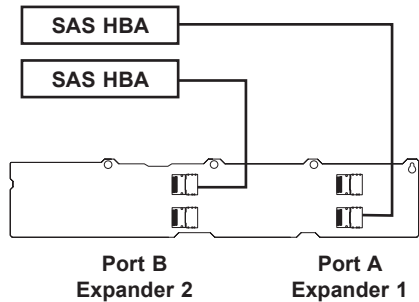
The SAS-836EL backplane may be configured for failover with multiple HBAs using either RAID controllers or HBAs to achieve failover protection.

**RAID Controllers:** If RAID controllers are used, then the failover is accomplished through port failover on the same RAID card.

**HBAs:** If multiple HBAs are used to achieve failover protection and load balancing, **Linux MPIO software must be installed and correctly configured to perform the load balancing and failover tasks.**

#### Dual Host Bus Adapter

In a Dual Host Bus configuration, the backplane connects to two Host Bus Adapters.



#### Dual Host Bus Adapter Failover

If the expander or data path in Port A fails, the system will automatically fail over to Port B. This maintains a full connection to all drives.

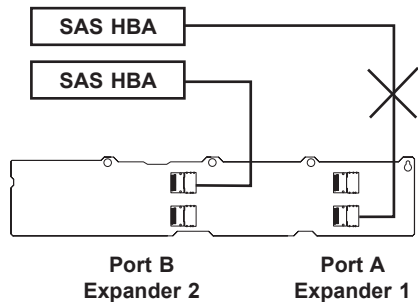


Figure 3-3: Single and Dual Port Expanders



**IMPORTANT:** For RAID controllers, redundancy is achieved through port failover. For multiple HBAs MPIO software is required to achieve failover protection.

## 3-4 Cables and Chassis Power Card

### Chassis Power Card

In a cascaded configuration, the first chassis includes a motherboard and, at least one, Host Bus Adapter. Other servers in this enclosed system include a power card. This section describes the supported power card for the 826 backplane system.

For more information, see the PCC-JBPWR2 power card manual. This manual can be found at the <http://www.supermicro.com> or as an appendix in the SC826 chassis manual.

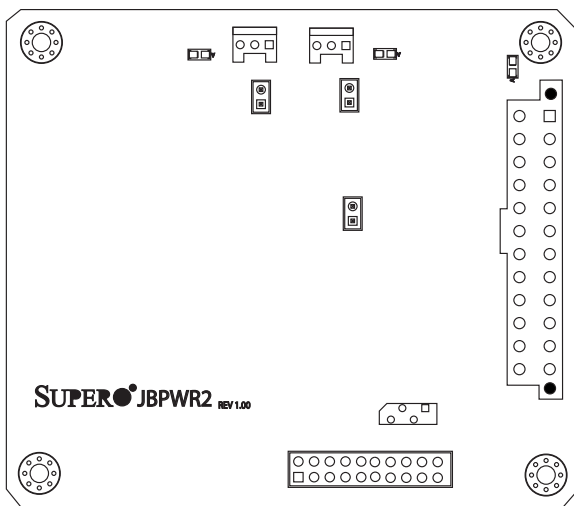


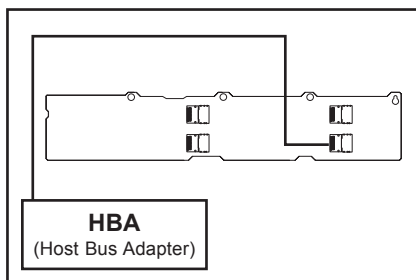
Figure 3-4: The JBPWR2 Power Card

Power Card		
Part Number	Part Type	Where Used
CSE-PTJBOD-CB1	Power Card	Allows the chassis to be in a JBOD (Just a Bunch of Drives) system.

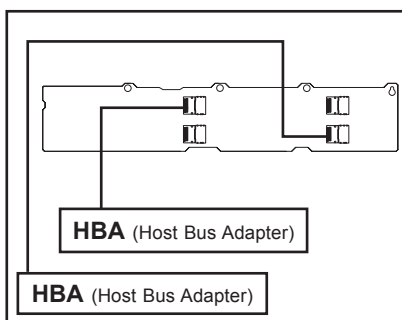
## Connecting an Internal Host Bus Adapter to the Backplane

The following section lists the most common cables used to connect the HBA to the backplane.

### *Single Internal Host Bus Adapter*



### *Dual Internal Host Bus Adapter*



**Figure 3-5: Connecting to Single and Dual Internal HBAs**

**IMPORTANT:** See Section 3-3 of this manual, *Failover with RAID Cards and Multiple HBAs* for important information on supported configurations.

## Supported Internal HBA to Backplane Cables

Use the following listed cables to create connections between the internal HBA and backplane. The cables required depend on the HBA connector.

**Cable Name:** IPASS TO 4-LANE

**Part #:** CBL-0117

**Length:** 46 cm (18 inches)

**Description:** This cable has one SFF-8484 (32 pin) connector on one end and ipass (SFF-8087/mini-sas) connector (36 pins) at the other. This cable connects from the HBA to the 826 EL backplane.

**Cable Name:** SFF-8087 (mini SAS) TO SFF-8087 (mini SAS)

**Part #:** CBL-0108L-02

**Length:** 39 cm (15 inches)

**Part #:** CBL-0109L-02

**Length:** 22 cm (9 inches)

**Part #:** CBL-0110L-02

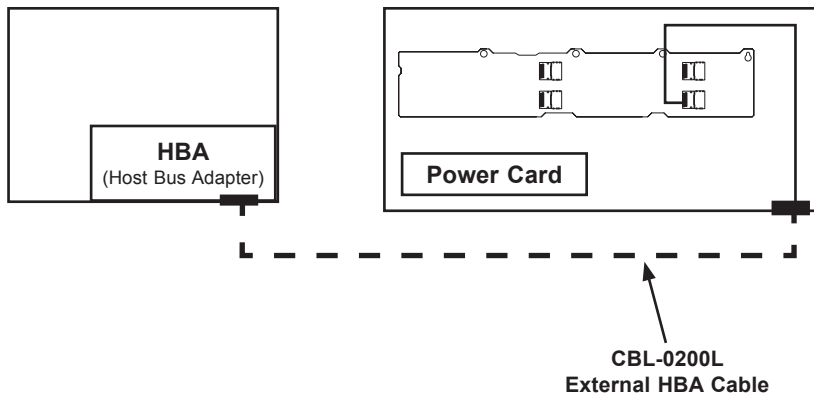
**Length:** 18 cm (7 inches)

**Description:** This cable has an iPass (SFF-8087/mini-sas) connector (36 pins) at each end. It connects from the HBA to the 826 EL backplane.

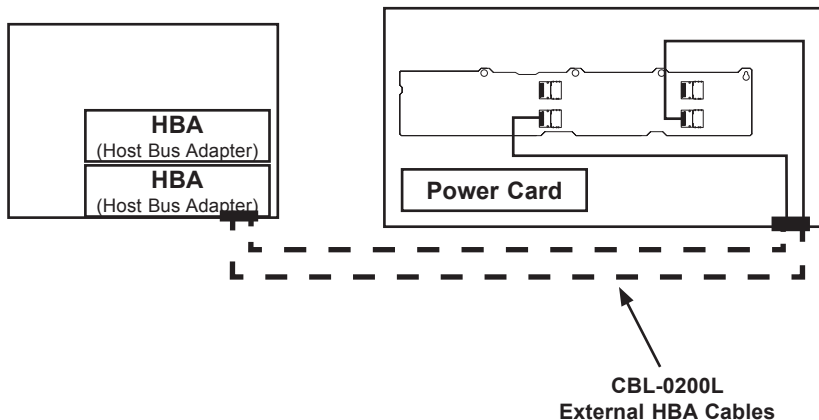
## Connecting an External Host Bus Adapter to the Backplane

This backplane supports external HBAs. In this configuration, the HBA and the backplane are in different physical chassis. This allows a JBOD (Just a Bunch Of Drives) configuration from an existing system.

### Single External Host Bus Adapter



### Dual External Host Bus Adapter



**Figure 3-6: Connecting Single and Dual External HBAs**

**IMPORTANT:** See Section 3-3 of this manual, *Failover with RAID Cards and Multiple HBAs* for important information on supported configurations.

## Supported External HBA to Backplane Cable

Use the following cable if your external HBA has an Infiniband connector.



**Figure 3-5: The CBL-0200L Cable**

**Cable Name:** SAS InfiniBand to Mini SAS X4 1M cable, PBF

**Part #:** CBL-0200L

**Length:** 1 meter

**Description:** This cable has an InfiniBand connector (SFF-8470) on one end and an SFF-8088-1X (26-pins) at the other end.

## Connecting Multiple Backplanes in a Single Channel Environment

This section describes the cables used when cascading from a single HBA. These connections use CBL-0167L internal cables and CBL-0166L external cables.

### Single HBA Configuration

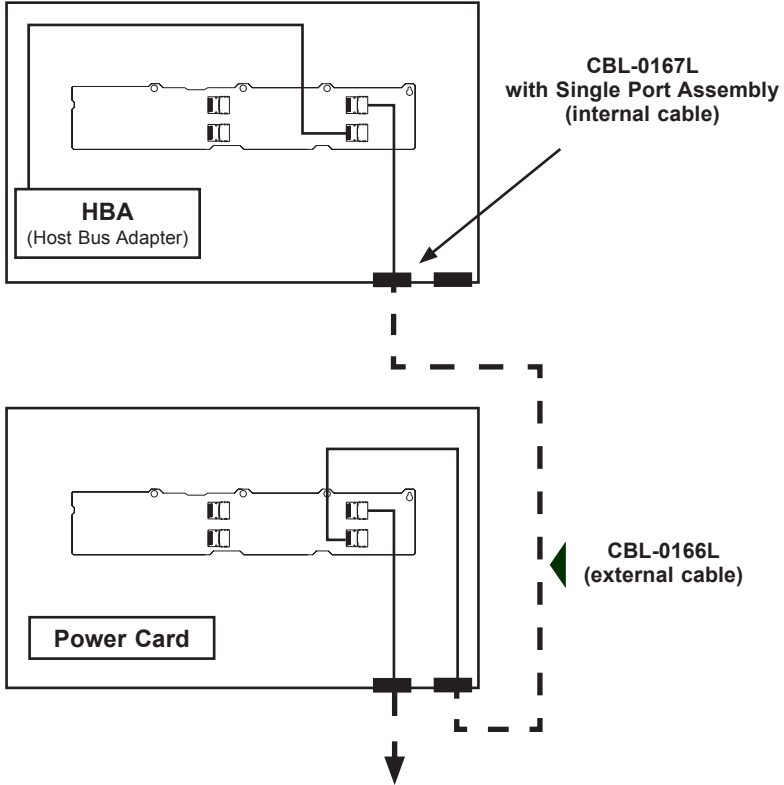


Figure 3-7: Single HBA Configuration

## Single HBA Configuration Cables

### Single Port Cable Assembly

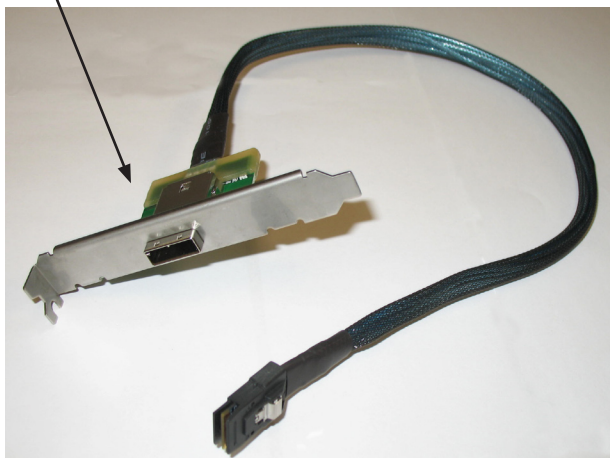


Figure 3-8: The CBL-0167L Cable

**Cable Name:** SAS EL2/EL1 Backplane Cable (Internal) w/ 2-port Cascading Cable, 68 cm

**Part #:** CBL-0167L (SFF-8087 to SFF-8088 x1)

**Ports:** Single

**Placement:** Internal cable

**Description:** Internal cable. Connects the backplane to the Host Bus Adapter (HBA) or external port. Used in single port environments.



Figure 3-9 The CBL-0166L Cable

**Cable Name:** SAS EL2/EL1 Cascading Cable (External), 68cm

**Part #:** CBL-0166L (SFF-8088 1x to SFF-8088 x1)

**Ports:** Single or Dual

**Placement:** External cable

**Description:** External cascading cable. Connects ports between servers. With most connectors, use one cable for single port connections and two cables for dual port connections.



## Connecting Multiple Backplanes in a Dual Channel Environment

This section describes the cables used when cascading from a single HBA. These connections use CBL-0168L internal cables and CBL-0166L external cables.

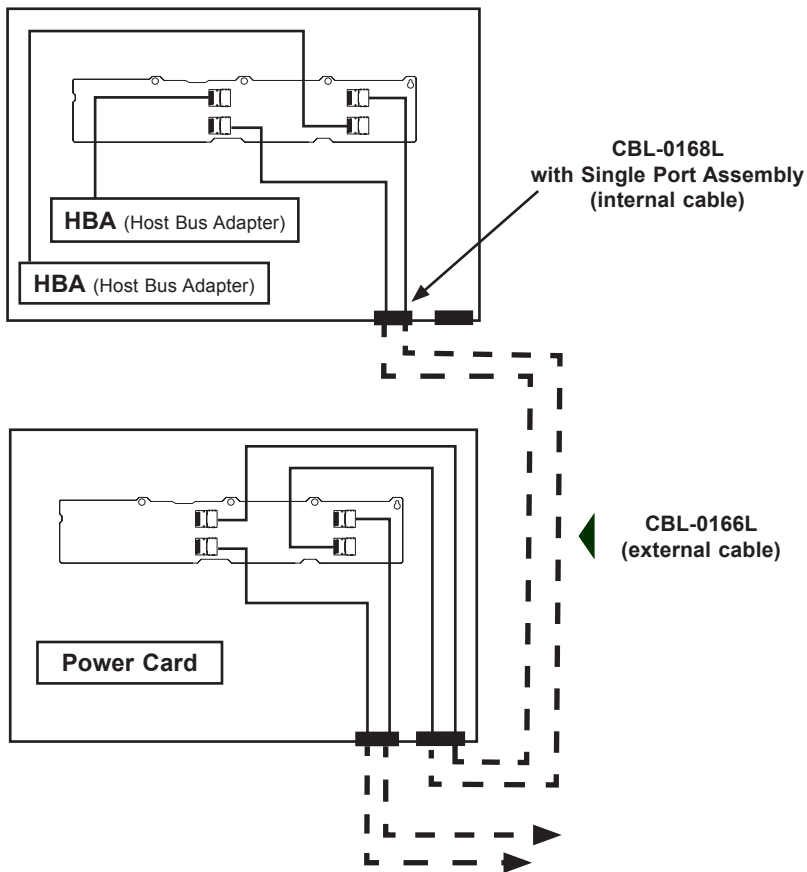


Figure 3-10: Connecting Multiple Backplanes when using Dual Channels

**IMPORTANT:** See Section 3-3 of this manual, *Failover with RAID Cards and Multiple HBAs* for important information on supported configurations.

## Dual HBA Configuration Cables

Dual Port Cable  
Assembly



Figure 3-11: The CBL-0168L Cable

**Cable Name:** SAS Dual-port Cable Assembly, 68/76cm

**Part #:** CBL-0168L (SFF-8087 to SFF-8088 x2)

**Ports:** Dual

**Placement:** Internal cable

**Description:** Internal cascading cable. Connects the backplane to the Host Bus Adapter (HBA) or external port. Used in Dual port environments.



Figure 3-12: The CBL-0166L Cable

**Cable Name:** SAS EL2/EL1 Cascading Cable (External), 68cm

**Part #:** CBL-0166L (SFF-8088 x1 to SFF-8088 x1)

**Ports:** Single or Dual

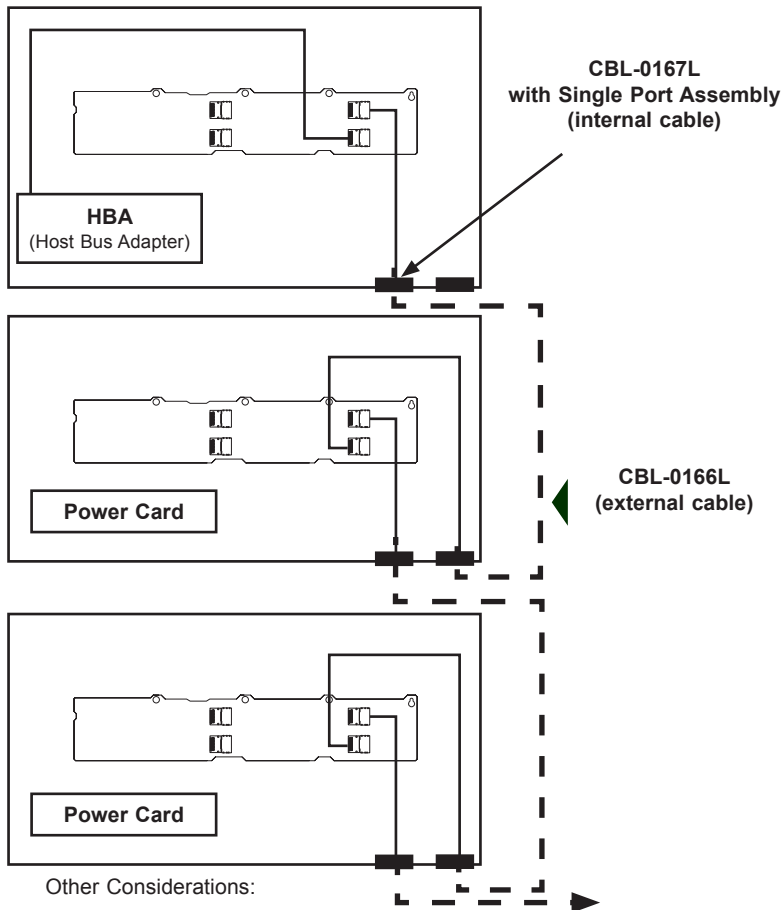
**Placement:** External cable

**Description:** External cascading cable. Connects ports between servers. Use one cable for single port connections and two cables for dual port connections.

### 3-5 Supported Cascading Configuration

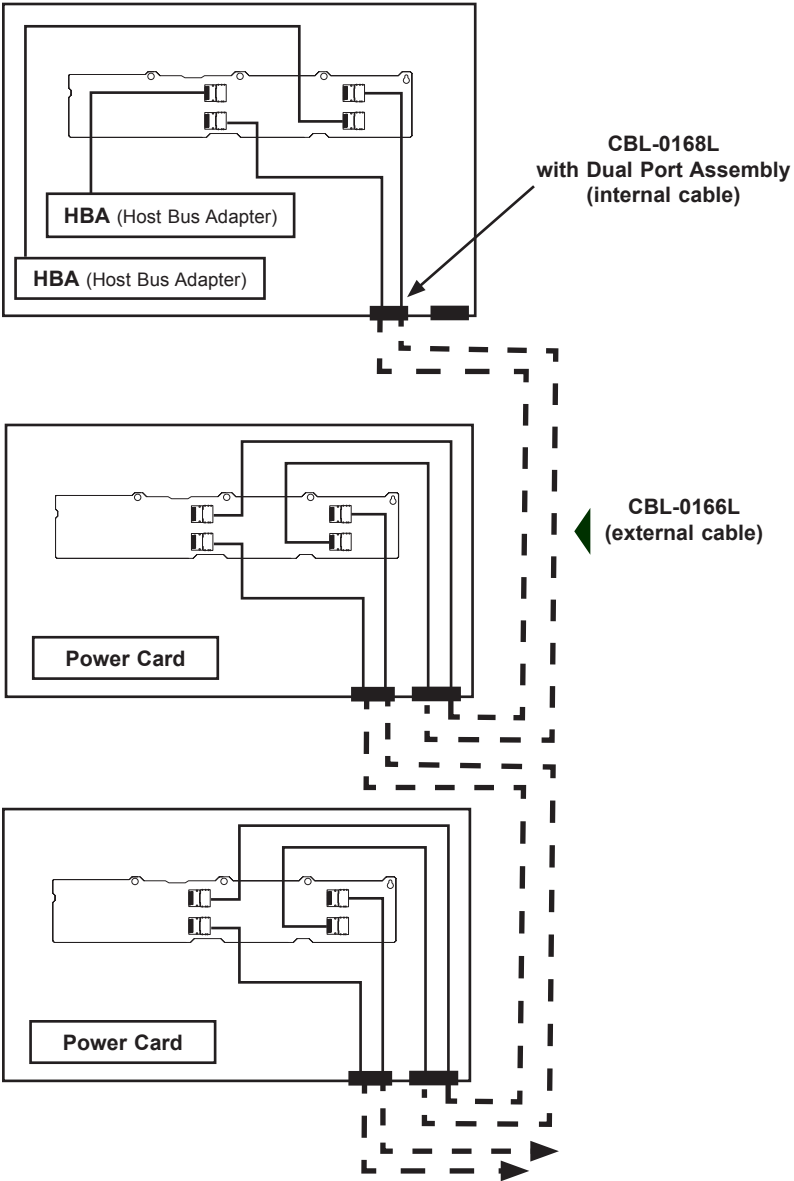
Cascading allows the system to access data at a faster rate by allowing several backplanes to share resources to reduce latency time.

The first backplane in a cascaded system requires a motherboard and HBA. Other servers require a power control card, not a motherboard and HBA. For more information, see the 826 Chassis Manual.



- Cascading supports up to 122 hard drives
- Use the same cables for all single port configurations
- See page 3-4 if your HBA is external to your backplane.

### Server System with Dual SAS HBA and Cascading Configuration



**IMPORTANT:** See Section 3-3 of this manual, *Failover with RAID Cards and Multiple HBAs* for important information on supported configurations.

## Notes

Disclaimer (cont.)

The products sold by Supermicro are not intended for and will not be used in life support systems, medical equipment, nuclear facilities or systems, aircraft, aircraft devices, aircraft/emergency communication devices or other critical systems whose failure to perform be reasonably expected to result in significant injury or loss of life or catastrophic property damage. Accordingly, Supermicro disclaims any and all liability, and should buyer use or sell such products for use in such ultra-hazardous applications, it does so entirely at its own risk. Furthermore, buyer agrees to fully indemnify, defend and hold Supermicro harmless for and against any and all claims, demands, actions, litigation, and proceedings of any kind arising out of or related to such ultra-hazardous use or sale.