



X12 FatTwin Product Family

Aleksandar Miljković, Product Manager

June 2021



FatTwin: Markets and Applications



Telcos/IPDCs

- Web hosting
- Co-location
- Dedicated servers



Cloud & Storage

- Cloud environments
- Containers
- SDS
- Object



Appliances

- Firewall
- Network
- Gateway
- Security



Vertical Markets

- Education
- Surveillance
- Media Servers
- Internet Cafes



Workgroup & SMB

- File Sharing
- Collaboration
- ROBO

FatTwin X12 vs X11

X11

- SYS-F619P2-RT
- SYS-F619P2-FT
- SYS-F619P2-FT+
- SYS-F619P2-RC0
- SYS-F619P2-RC1
- SYS-F619P2-RTN
- SYS-F619P3-FT
- SYS-F629P3-RTB
- SYS-F629P3-RCOB
- SYS-F629P3-RCIB
- SYS-F629P3-RTBN

X12

- SYS-F610P2-RTN
- SYS-F620P3-RTBN



X12 FatTwin Series

Highest Efficiency and Serviceability for Enterprise and Datacenter Applications



4U Eight Node

Optimized for High Density Compute

SYS-F610P2-RT Series: 6x 2.5" NVMe/SAS/SATA



4U Four Node

Optimized for High Capacity Storage

SYS-F620P3-R Series: 8x 3.5" NVMe/SAS/SATA



KEY FEATURES

Modular Front-Accessible Nodes for Building Application-optimized Solutions

- All-hybrid hot-swappable drive bays - NVMe, SAS, or SATA

Better Thermals with New Optimized Airflow Designs

- Up to 185W TDP processors

New Levels of Compute Performance and Flexibility

- Support future generation Intel® Xeon® Scalable (Ice Lake) processors
- Large memory footprint for up to 2TB
- Dynamic storage
 - Every platform supports direct-attached full-hybrid all-NVMe for lower latency with higher throughput and IOPS
 - 4U/8Node: up to 6 hot-swappable hybrid NVMe drives per node
 - 4U/4Node: up to 8 hot-swappable hybrid NVMe drives per node (optional additional 2 drives)
- Flexible on-board networking options for up to dual 25G Ethernet
 - Also support standard PCI-E network interface card
- Redundant AC/DC Titanium (96%) Level Power Supplies



Form Factor

4U 8Node and 4U 4Node Rackmount Systems



Processors

Dual future generation Intel® Xeon® Scalable (Ice Lake) processors



Memory

16 DIMM slots, up to 2TB Support new Intel® Optane™ Persistent Memory 200 Series (Barlow Pass)



Input/Output

4U8Node: 1 PCI-E 4.0 x16 + 1 AIOM networking slot
4U4Node: 2 PCI-E 4.0 x16 + 1 AIOM networking slot



Networking

Flexible on-board networking with AIOM



Drives

4U8Node: 6x 2.5" NVMe/SAS/SATA (SAS via AOC)
4U4Node: 8x 3.5"



Power

2200W Redundant Titanium (96%) Level

FatTwin 4U/8-Node SYS-F610P2-RTN



Specifications (per node)

- Motherboard: X12DPFR-AN6
- 4U Chassis: CSV-F418BC3-R2K20BP

System Front View



System Rear View



Note: Certain high wattage/frequency CPUs are conditionally supported
Note: FatTwin is sold as a Complete System Only

Processor Support

- Dual Intel® Xeon® Scalable Processors up to 185W TDP*

Memory Capacity

- 16 DIMM slots for up to 2TB ECC DDR4 3200MHz memory
- 4 DIMM slots for PMEM

PCI-E Expansion Slots

- 1 PCI-E 4.0 x16 Riser (LP, 6.6" length)
- 1 PCI-E 4.0 x8 for M.2 (Internal PCI-E)
- 1 AIOM PCI-E 4.0 x16 for flexible networking options

I/O ports

- 1 BMC LAN port • 1 VGA port • 2 USB 3.0 ports

System management

- Built-in Server management tool (IPMI 2.0, KVM/media over the dedicated LAN)

Drive Bays

- 6 NVMe/SATA hot-swap 2.5" drives bays

Internal Storage

- 2 M.2 NVMe/SATA (NVMe from CPU1)

System Cooling (Enclosure)

- 3 heavy duty 20K RPM fans w/ Optimal Fan Speed Control

Power Supply (Enclosure)

- Four redundant 2200W High-efficiency (Titanium level) power supplies

Dimensions (Enclosure)

- 17.63" (W) x 6.96" (H) x 29.0" (D)

SYS-F610P2-RTN: Kits / Optional Parts



Kit PN	Description/Notes	Components	
CBL-SAST-1223-85	Supports up to 2 NVMe drives	1x CBL-SAST-1223-85	Cable Kits
CBL-KIT-FRI10-NVME4	Supports up to 4 NVMe drives	1x CBL-SAST-1223-85 1x CBL-SAST-1226-85	
CBL-KIT-FRI10-NVME6	Supports up to 6 NVMe drives	1x CBL-SAST-1223-85 1x CBL-SAST-1226-85 1x CBL-SAST-1210-85	
SCC-KIT-FRB10-3808	Supports 3808 SW/HBA RAID w/ cables	1x SCC-B8SB80-B1 1x CBL-SAST-1220-100 1x CBL-SAST-1225-100	
AOC-KIT-FRB10-3908	Supports 3908 HW RAID w/ cables	1x AOC-S3908L-H8IR 1x CBL-SAST-1262-100	SAS & M.2
BTR-CV3908-FT1	SuperCap for 3908 with bracket and 24in extension cable	1x BTR-CVPM05 1x MCP-120-00092-0N 1x BOX-FOAM-089	
AOC-SMG4-2M2-F	2x M.2 NVMe carrier card (NO SATA)	1x AOC-SMG4-2M2-F	

FatTwin 4U/4-Node SYS-F620P3-RTBN



- Motherboard: X12DPFR-AN6
- 4U Chassis: CSV-F424AS3-R2K20BP

System Front View



System Rear View



*Certain high wattage/frequency CPUs are conditionally supported
FatTwin is sold as a Complete System Only

Specifications (per node)

Processor Support

- Dual Intel® Xeon® Scalable Processors up to 185W- 205W TDP*

Memory Capacity

- 16 DIMM slots for up to 2TB ECC DDR4 3200MHz memory
- 4 DIMM slots for PMEM

PCI-E Expansion Slots

- 1 PCI-E 4.0 x16 Riser (LP, 6.6" length)
- 1 PCI-E 4.0 x8 for M.2 (Internal PCI-E)
- 1 AIOM PCI-E 4.0 x16 for flexible networking options

I/O ports

- 1 BMC LAN port • 1 VGA port • 2 USB 3.0 ports

System management

- Built-in Server management (IPMI 2.0, KVM/media over dedicated LAN)

Drive Bays

- 8 SAS/SATA hot-swap 3.5" drives bays
- Up-to 6 NVMe hot-swap 2.5" drives

Internal Storage

- 2 M.2 NVMe/SATA; optional 2x 2.5" U.2 SSDs internal

System Cooling (Enclosure)

- 2 heavy duty 14K RPM fans w/ Optimal Fan Speed Control

Power Supply (Enclosure)

- Four redundant 2200W High-efficiency (Titanium level) power supplies

Dimensions (Enclosure)

- 17.63" (W) x 6.96" (H) x 29.0" (D)

SYS-620P3-RTBN: Kits / Optional Parts (1 of 2)



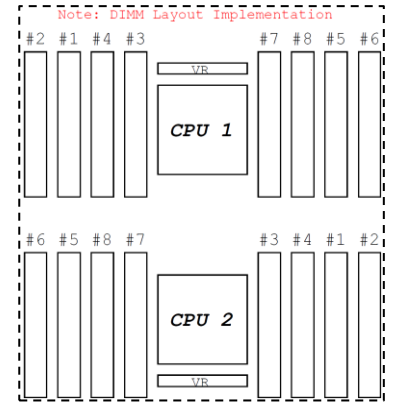
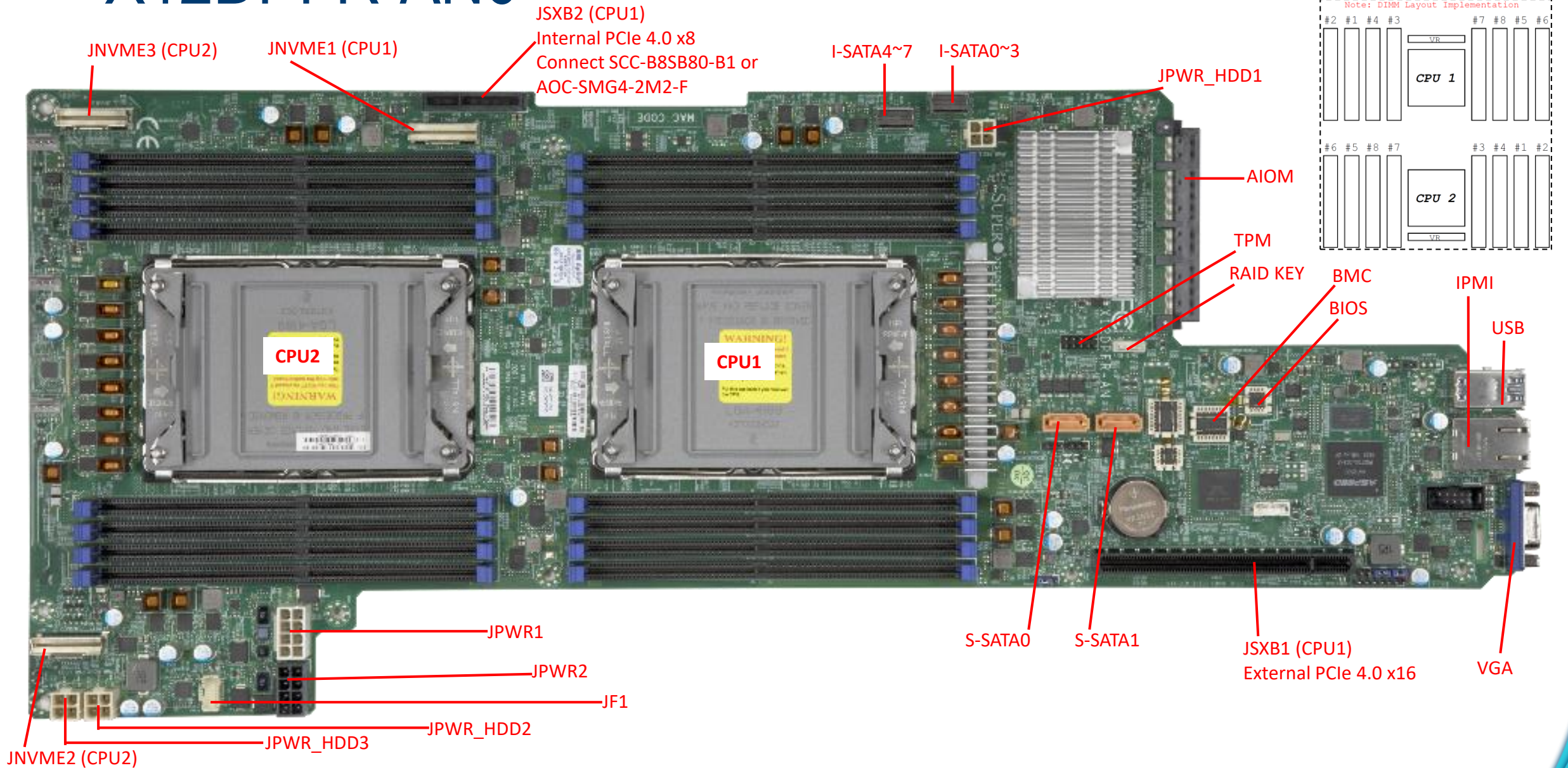
Kit PN	Description/Notes	Components	
CBL-KIT-FRI20-NVME2R	Supports up to 2 NVMe drives in the Rear BPN	1x CBL-SAST-1239F-85 2x MCP-220-00140-0B	Cable Kits
CBL-KIT-FRI20-NVME2F	Supports up to 2 NVMe drives in the Front BPN	1x CBL-SAST-1241F-85 2x MCP-220-00140-0B	
CBL-KIT-FRI20-NVME4F	Supports up to 4 NVMe drives in the Front BPN	1x CBL-SAST-1241F-85 1x CBL-SAST-1231F-85 4x MCP-220-00140-0B	
CBL-KIT-FRI20-NVME6F	Supports up to 6 NVMe drives in the Front BPN	1x CBL-SAST-1241F-85 1x CBL-SAST-1231F-85 1x CBL-SAST-1239F-85 6x MCP-220-00140-0B	
SCC-KIT-FRB20-3808	Supports 3808 SW/HBA RAID w/ cables	1x SCC-B8SB80-B1 1x CBL-SAST-1225-100 1x CBL-SAST-1240-100	SAS Support
AOC-KIT-FRB20-3908	Supports 3908 HW RAID w/ cables	1x AOC-S3908L-H8IR 1x CBL-SAST-1214-100	
BTR-CV3908-FT1	SuperCap for 3908 with bracket and 24in extension cable	1x BTR-CVPM05 1x MCP-120-00092-0N 1x BOX-FOAM-089	

SYS-620P3-RTBN: Kits / Optional Parts (2 of 2)

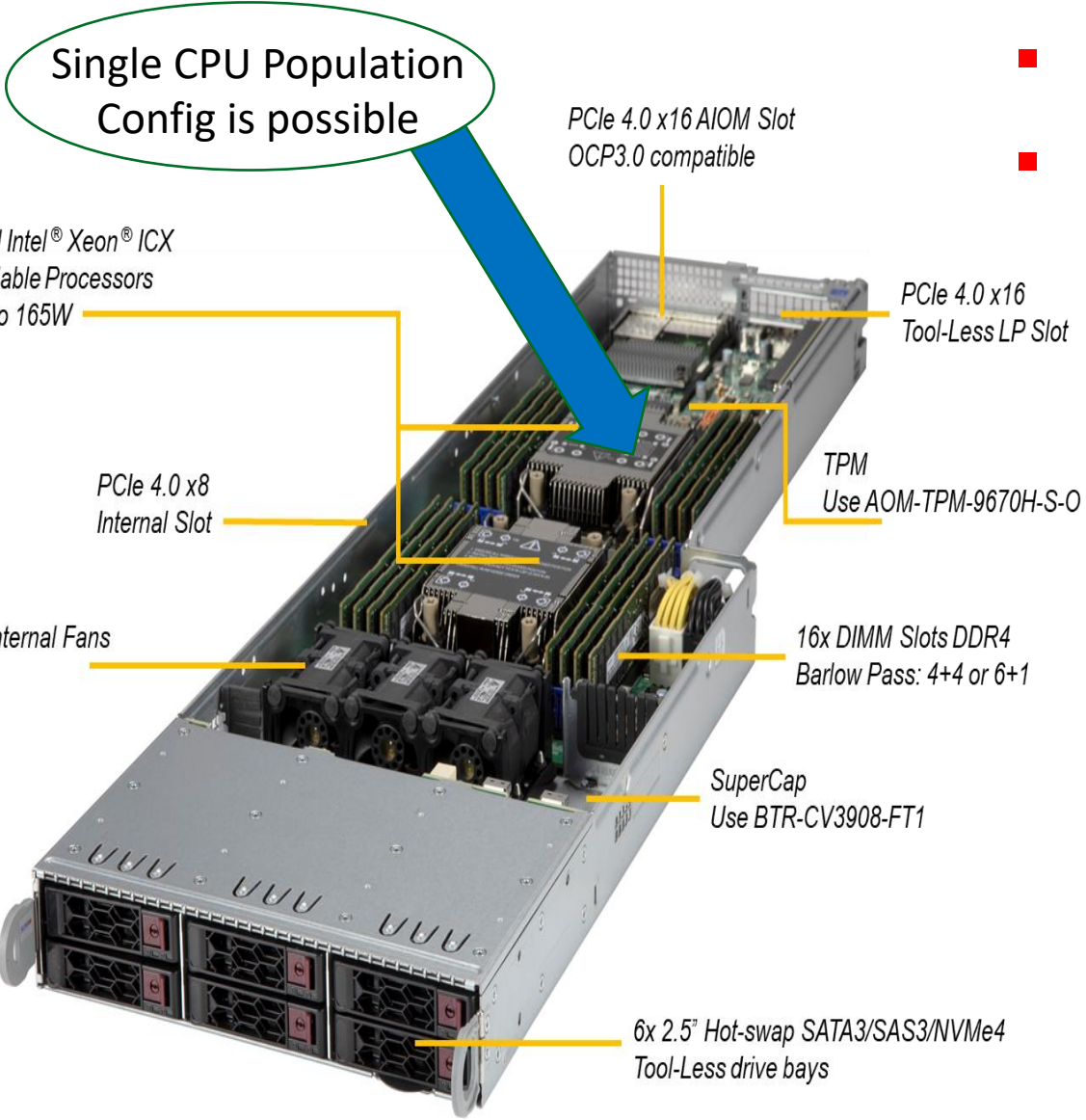


Kit PN	Description/Notes	Components	
MCP-220-42435-0N	Changes from 3.5" Rear BPN with 1 x16 PCIe slot to a 2.5" Rear BPN with a RSC that supports 2 x8 PCIe slots.	1x BPN-SAS3-F418-B2R1 1x RSC-F2B-88G4 1x MCP-240-42425-0N	Drive Converters
MCP-220-00158-0B	3.5" to 2.5" Tool-less Conversion Tray; Red Tab. For SATA/SAS drives only	1x MCP-220-00158-0B	
MCP-220-00140-0B	3.5" to 2.5" Tool-less Conversion Tray; Orange Tab. For NVMe drives only	1x MCP-220-00140-0B	
CBL-KIT-FRB20-10BAY	Additional x2 internal SATA SSDs per node	1x MCP-240-42417-0N 1x CBL-SAST-0840	Internal Drives, M.2 Carrier, Power ADP
AOC-SMG4-2M2-F	2x M.2 NVMe carrier card (NO SATA)	1x AOC-SMG4-2M2-F	
MCP-250-42426-0N	This ADP will supply power to the front drives, therefore alleviating the power consumption from the MB.	1x BPN-ADP-2UPWR-X11 1x MCP-120-42405-0N	

X12DPFR-AN6



FatTwin X12 Use Case: Single or Dual Socket



- Industry & Application: Social Media & Web Apps
- FatTwin Advantages:
 - Cold Aisle Serviceability
 - Single or Dual socket implementations
 - Most all functions available off of CPU#1
 - Support up to 270W in Single CPU configs
 - Support for IceLake 63xxU CPUs

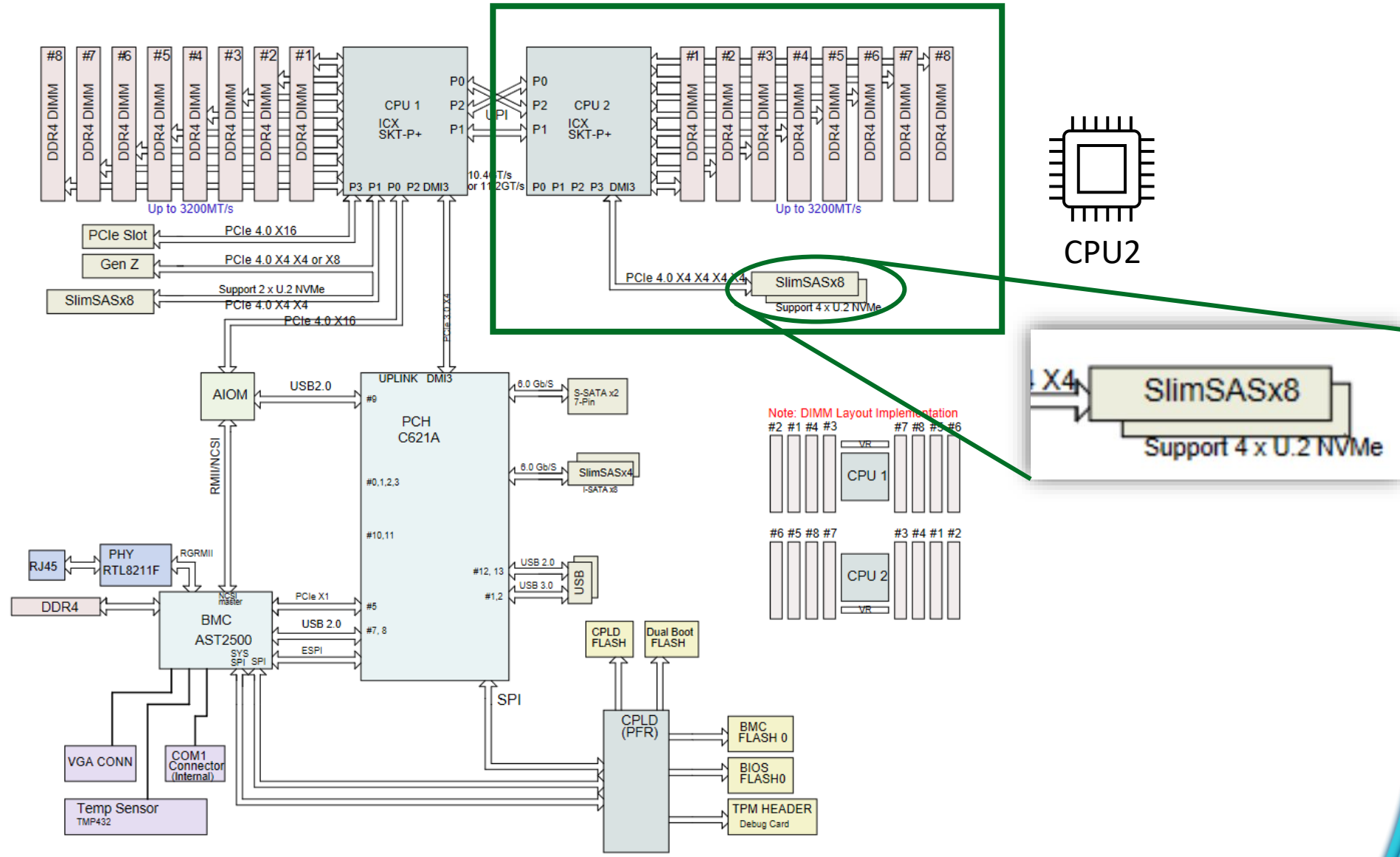
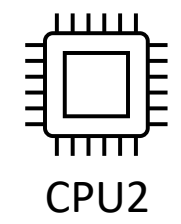
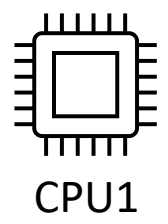
System Front View



System Rear View



X12DPFR-AN6



FatTwin X12 Customer: Web Hosting



- Industry: Social Media
- Application: Cloud and Web applications
- Territory: North America
- Fat Twin Advantages:
 - Cold Aisle Serviceability and Ease of maintenance
 - Optimized for Density

System Front View



System Rear View



Fat Twin X12 Customer: MySQL



System Front View



- Industry: Developers
- Application: Edge
- Territory: USA
- Distribution Partner with Cloud Service Provider
- Fat Twin Advantages:
 - ❖ Front accessible
 - ❖ High Density Cloud Computing
 - ❖ NVMe & High Capacity Drives
 - ❖ Shared Titanium level redundant power supply

X12 FatTwin Rear IO Summary



- 8 Node per 4U system (1/2 RU per Node)
- Dual CPU sockets & 16 DIMMs per node
- 6x 2.5" SSD/HDD devices per node
- M.2 support, AIOM & PCIe Gen 4 LP
- NVMe, SATA, SAS Optional

- 4 Node per 4U system (1 RU per Node)
- Dual CPU sockets & 16 DIMMs per node
- 8x 3.5" SSD/HDD per Node
- M.2 Support, AIOM & PCIe Gen 4 LP
- NVMe, SATA, SAS Optional

DISCLAIMER

Super Micro Computer, Inc. may make changes to specifications and product descriptions at any time, without notice. The information presented in this document is for informational purposes only and may contain technical inaccuracies, omissions and typographical errors. Any performance tests and ratings are measured using systems that reflect the approximate performance of Super Micro Computer, Inc. products as measured by those tests. Any differences in software or hardware configuration may affect actual performance, and Super Micro Computer, Inc. does not control the design or implementation of third party benchmarks or websites referenced in this document. The information contained herein is subject to change and may be rendered inaccurate for many reasons, including but not limited to any changes in product and/or roadmap, component and hardware revision changes, new model and/or product releases, software changes, firmware changes, or the like. Super Micro Computer, Inc. assumes no obligation to update or otherwise correct or revise this information.

SUPER MICRO COMPUTER, INC. MAKES NO REPRESENTATIONS OR WARRANTIES WITH RESPECT TO THE CONTENTS HEREOF AND ASSUMES NO RESPONSIBILITY FOR ANY INACCURACIES, ERRORS OR OMISSIONS THAT MAY APPEAR IN THIS INFORMATION.

SUPER MICRO COMPUTER, INC. SPECIFICALLY DISCLAIMS ANY IMPLIED WARRANTIES OF MERCHANTABILITY OR FITNESS FOR ANY PARTICULAR PURPOSE. IN NO EVENT WILL SUPER MICRO COMPUTER, INC. BE LIABLE TO ANY PERSON FOR ANY DIRECT, INDIRECT, SPECIAL OR OTHER CONSEQUENTIAL DAMAGES ARISING FROM THE USE OF ANY INFORMATION CONTAINED HEREIN, EVEN IF SUPER MICRO COMPUTER, Inc. IS EXPRESSLY ADVISED OF THE POSSIBILITY OF SUCH DAMAGES.

ATTRIBUTION

© 2020 Super Micro Computer, Inc. All rights reserved.

Thank You



www.supermicro.com